

PRODUCTS CATALOG



KEY-ΔRMAΔ

KEY-ARMA BUTTSTOCKS

*Milcom
Hybrid Technology*



VEGA
AR / AK
Milcom Hybrid Technology
Polymer

*Milcom
Hybrid Technology*



ORION
AR / AK
Milcom Hybrid Technology
Polymer

*Milcom
Hybrid Technology*



SIRIUS
AR / AK
Milcom Hybrid Technology
Polymer

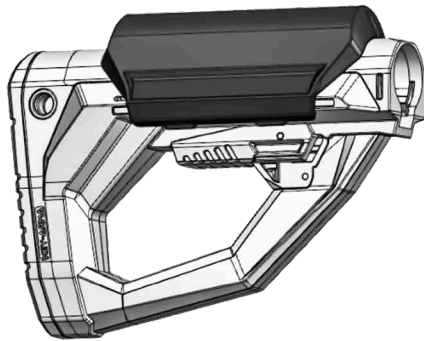
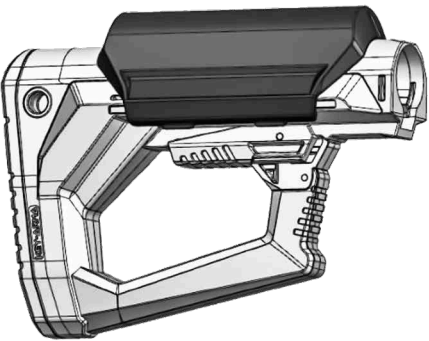
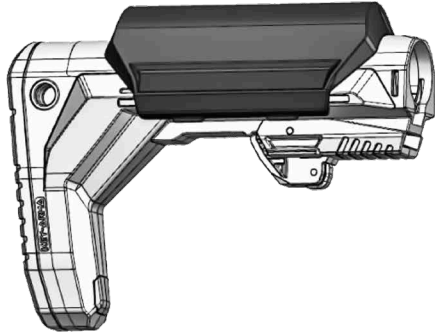
Experience the MILCOM HYBRID difference:
The Buttstock fits flawlessly on both Mil-Spec and Commercial-Spec buffer tubes across all tolerances, delivering completely wobble-free performance.



TAN GREEN



CP
SIRIUS / ORION / VEGA
Polymer



Upgrade your shooting stability with our lightweight, high-strength polymer cheek riser. Designed for a precise fit on our new buttstocks “VEGA, ORION & SIRIUS”, it provides a comfortable and consistent cheek weld for improved eye alignment with optics. Its contoured shape, durable structure, and secure mounting make it ideal for tactical, hunting, and sport shooting applications.



NORD
AR / AK
Mil-Spec/Comm-Spec
Polymer



ATOM-CP
AR / AK
Mil-Spec/Comm-Spec
Polymer



ATOM
AR / AK
Mil-Spec/Comm-Spec
Polymer



FSM1
AR / AK
Mil-Spec
Polymer



TAN GREEN



ALPHA

AR / AK

Mil-Spec/Comm-Spec

Polymer



ALPHA-CP

AR / AK

Mil-Spec/Comm-Spec

Polymer



FSM2

AR / AK

Mil-Spec

Polymer



KEY-100
AR15
Rubberized



KEY-101
AR15
Rubberized



KEY-102
AR15
Rubberized



KEY-104
AR15
Rubberized



KEY-106
AR15
Polymer





KEY-103
AK47 / AK74
Rubberized



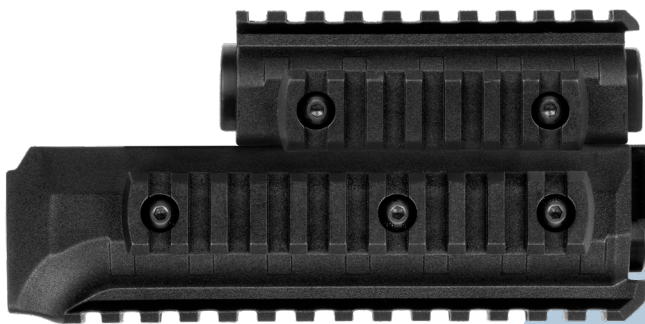
KEY-105
AK47 / AK74
Rubberized
15 Degree



KEY-107
AK47 / AK74
Polymer



KEY-200
AK47 / AK74
Polymer



KEY-200A
AK47 / AK74
Polymer

Choose whether to use the handguard with
or without the aluminium heat reducer.

ALUMINIUM SHIELD



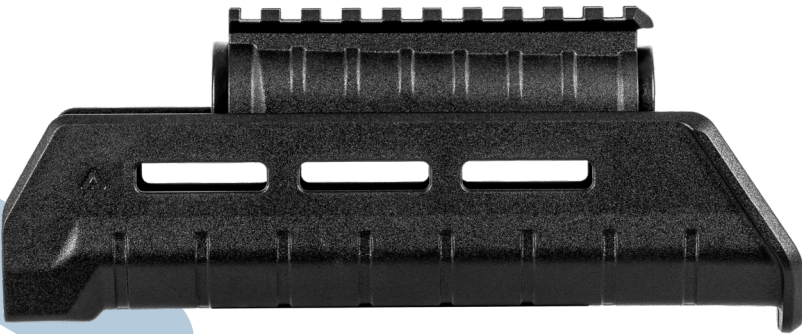
KEY-AS1
KEY-200 / KEY-200A



TAN GREEN



KEY-202
AK47 / AK74
M-lok Upper
Polymer



KEY-203
AK47 / AK74
Picatinny Upper
Polymer

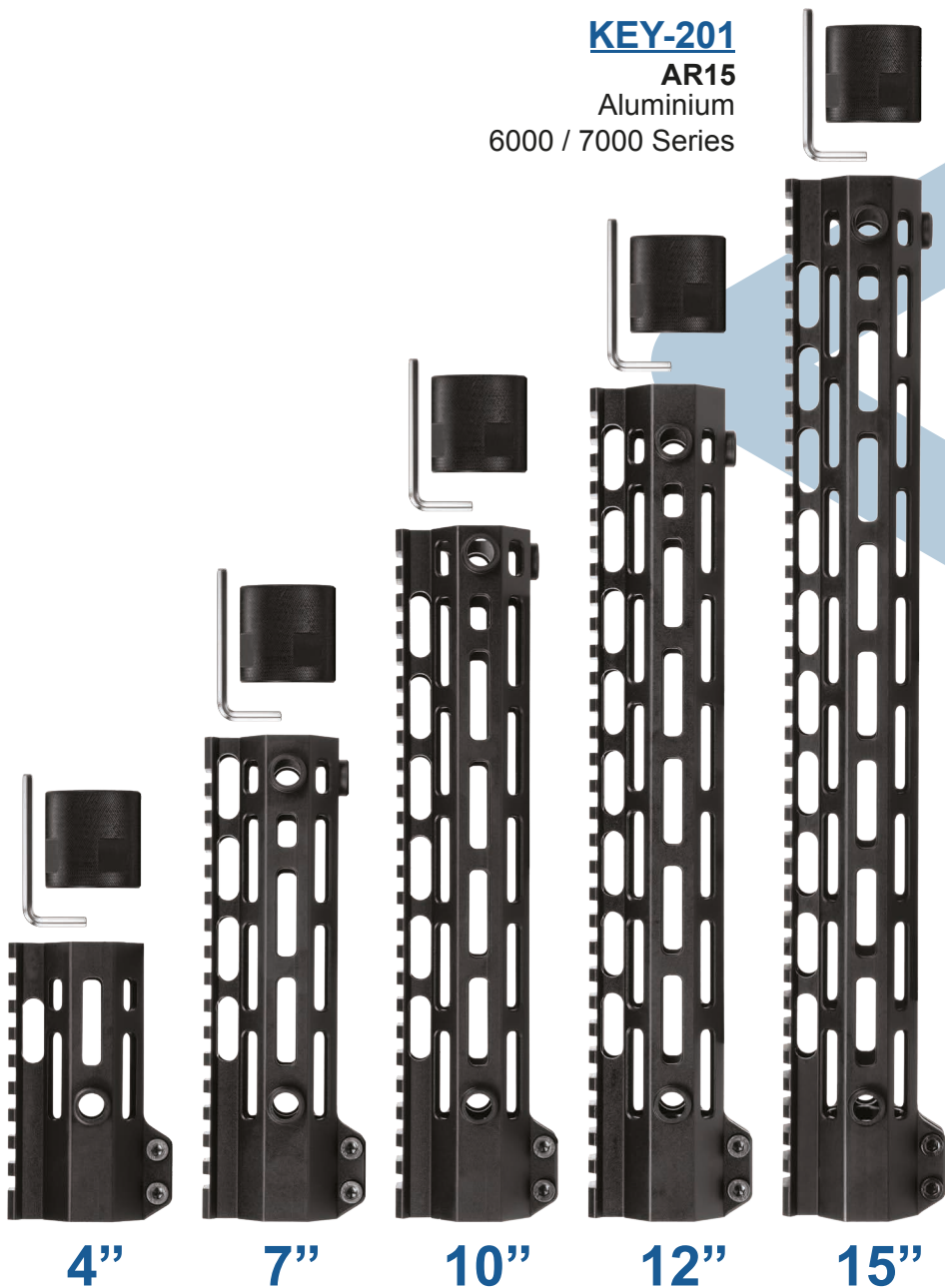
Choose whether to use the handguard with or without the aluminum heat reducer.

ALUMINIUM SHIELD



KEY-AS2
KEY-202 / KEY-203





KEY-201

AR15

Aluminium

6000 / 7000 Series

4"

7"

10"

12"

15"



KEY-300
Picatinny Rail
Polymer

KEY-302
Picatinny Rail
Polymer



KEY-303
Picatinny Rail
Polymer



KEY-304
Picatinny Rail
Polymer



KEY-400
Picatinny Rail
Polymer



KEY-401
Picatinny Rail
Polymer



KEY-402
Picatinny Rail
Polymer



KEY-403
Picatinny Rail
Polymer



KEY-405
M-LOK
Polymer



KEY-408
Picatinny Rail
Polymer



KEY-409
M-LOK
Polymer



TAN GREEN



KEY-410

M-LOK

Front and Rear Folding
Polymer



KEY-411

M-LOK

Left and Right Folding
Polymer



KEY-412

Picatinny Rail

Front and Rear Folding
Polymer



KEY-413

Picatinny Rail

Left and Right Folding
Polymer



KEY-414

M-LOK

Polymer



KEY-415

M-LOK

Polymer



KEY-406

Picatinny Rail / M-Lok
Polymer

Dual-function design: foregrip when closed, bipod when deployed with easy transition between M-LOK and Picatinny for superior tactical flexibility.

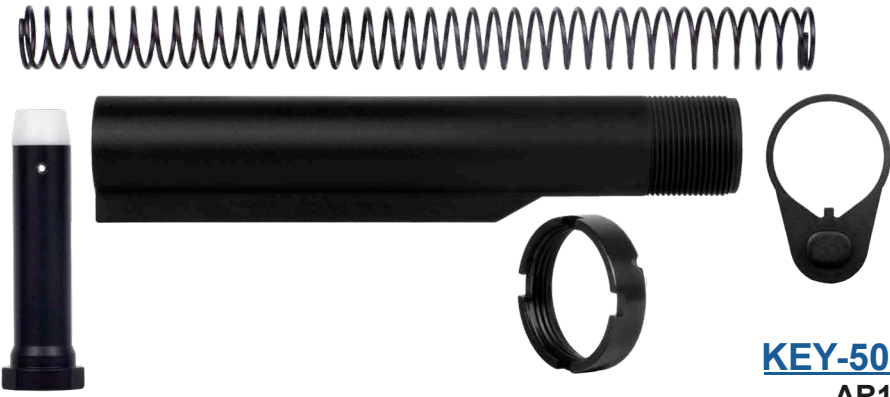


KEY-404

Picatinny Rail
Polymer

KEY-404 allows you to tilt 15° left and right, providing more flexible shooting positions without needing to reposition the firearm. Additionally, it can rotate 15° on its own axis, eliminating the need to rotate the firearm itself.





KEY-500
AR15
Mill spec
Aluminium 7000 Series



KEY-501
AR15
Mill spec
Aluminium 7000 Series



KEY-501A
AK47 / AK74
Commercial
Aluminium 6000 Series



KEY-502
AK47 / AK74
Mill spec / Commercial
Polymer



KEY-504
AK104
Mill spec / Commercial
Polymer



KEY-503

AK47 / AK74

Mil spec / Commercial

Polymer

(Self-Folding Left And Right Option)



"The innovative foldable stock enables quick and effortless adjustment with a self-folding feature that can be configured for either left- or right-handed users. Simply switch the folding direction to suit your preference."



KEY-505

UNIVERSAL

Mil spec / Commercial

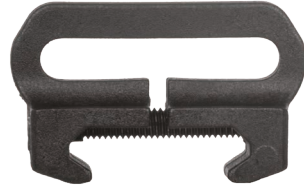
Polymer

(Self-Folding Left And Right Option)





KEY-600
General
11SMnPb37 Steel



KEY-601
General
Polymer



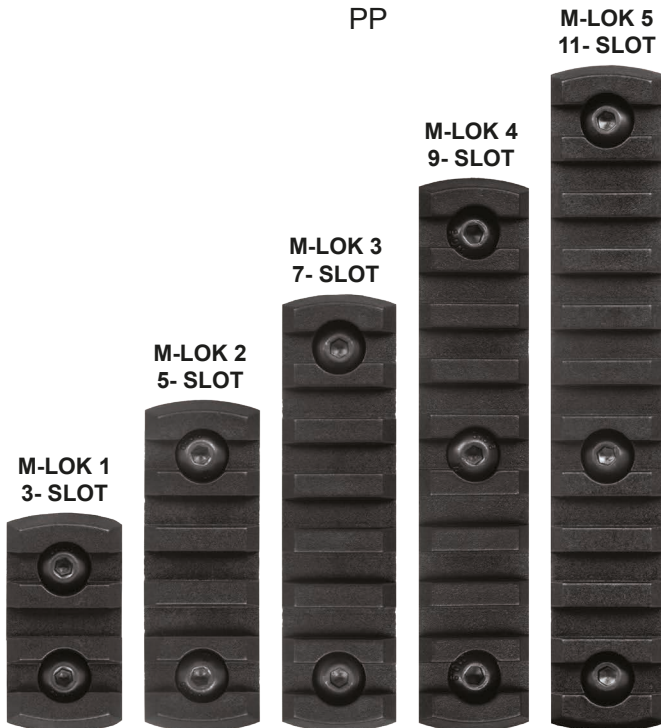
KEY-602
Thermal cover
Rubberized
15 Cm



KEY-603
Thermal cover
Rubberized
7.5 Cm



KEY-607
Chamber Safety Flag
Universal
PP



KEY-604
General
Polymer





KEY-606
General
Nylon



KEY-605
General
Nylon



KEY-700
AR15
TPU



KEY-701
AR15
1040 Steel



KEY-702
AR15
DKP



KEY-702A
AR15
DKP



KEY-703
AR15
Aluminum
6000 / 7000 Series



KEY-704
AR15
Aluminum
6000 / 7000 Series



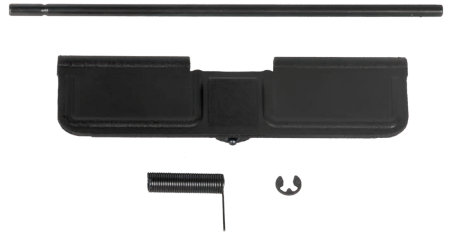
KEY-705
AR15
Aluminum
6000 / 7000 Series



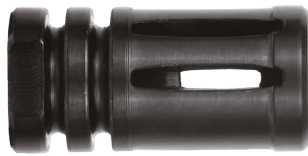
KEY-706
AR15
CK & 11SMnPb37 Steel



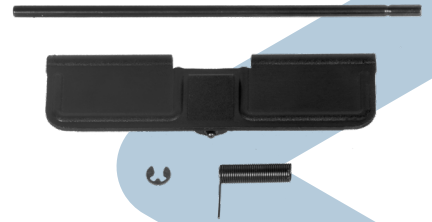
KEY-707
AR15
1040 Steel



KEY-708
AR15
DKP



KEY-709
AR15
11SMnPb37 Steel



KEY-710
AR15
Polymer



KEY-711
AR15
Polymer



KEY-712
AR15
CK & 11SMnPb37 Steel



KEY-713

AR15

Semi Auto

11SMnPb37 Steel

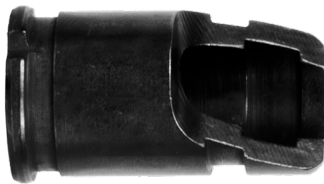


KEY-713A

AR15

Auto

11SMnPb37



KEY-714

AK47 / AK74

CK & 11SMnPb37 Steel



KEY-800
(Glock 26)
10 Rounds
Polymer



KEY-801
(Glock 19)
15 Rounds
Polymer



KEY-802
(Glock 17 / 19)
17 Rounds
Polymer



KEY-803
(Glock 17 / 19)
33 Rounds
Polymer



KEY-804
5.56X45 / .223 REM
30 Rounds
Polymer



KEY-806
5.56X45 / .223 REM
10 Rounds
Polymer





KEY-805

AK 5,45*39
30 Rounds
Polymer



KEY-807

AK 7,62X39
30 Rounds
Polymer





KEY-CS96
General
96cm*25cm*7cm
PP



KEY-CS110
General
110cm*30cm*9.5cm
PP



KEY-ARMA



KEY-ΔRMAΔ

KEY-ΔARMA



📍 Bayaşıar Mahallesi 41957 Sokak
No:4 Beyşehir-Konya / TURKEY

☎ +90 332 500 00 84

🌐 www.key-arma.com

✉ info@key-arma.com

sales@key-arma.com

sales3@key-arma.com

ISO 9001 CERTIFICATED



THE INTERNATIONAL
REC STANDARD