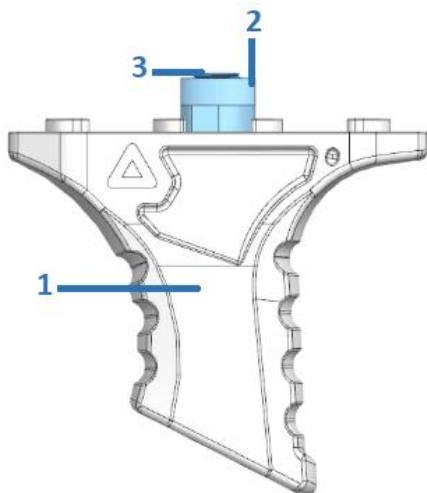


KEY-415

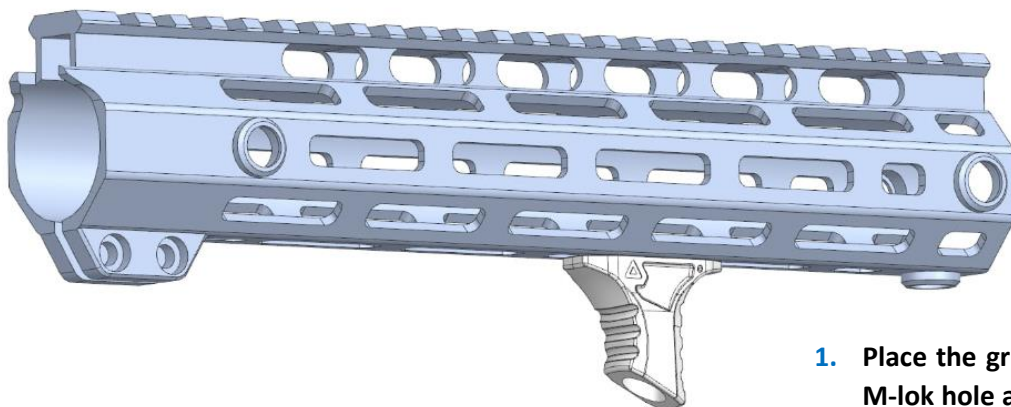
HANDSTOP GRIP DIAGRAM



1. Grip body
2. Grip nuts
3. Grip screws

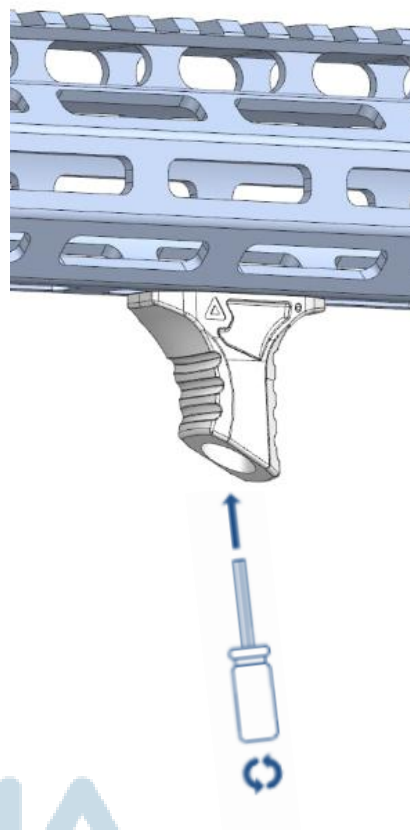
How to Install

WARNING: Make sure the firearm is unloaded before installation.



1. Place the grip nut (2) into the M-lok hole and make sure it is passed and located correctly

2. Tighten the grip screw (3) clockwise.



KEY-ARMA

KEY-415	Length	Width	Height
Dimensions	3.9 cm	1.57 cm	3.5 cm
Weight	13 gr		

TECHNICAL DIMENSIONS

