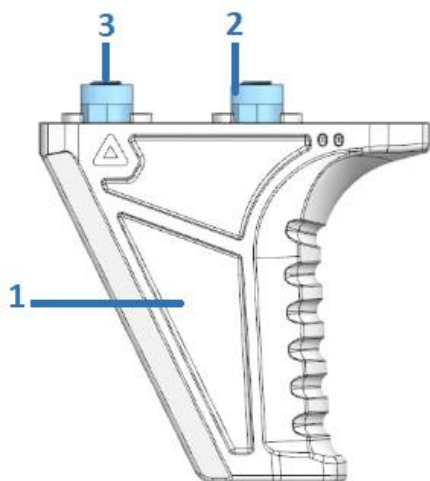


# KEY-414

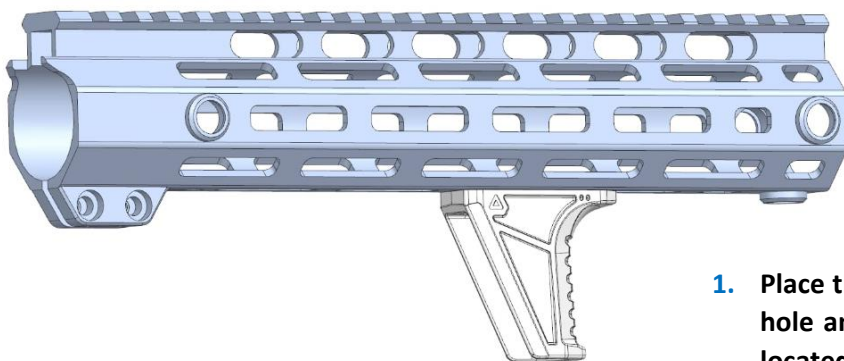
## HANDSTOP GRIP DIAGRAM



1. Grip body
2. Grip nuts
3. Grip screws

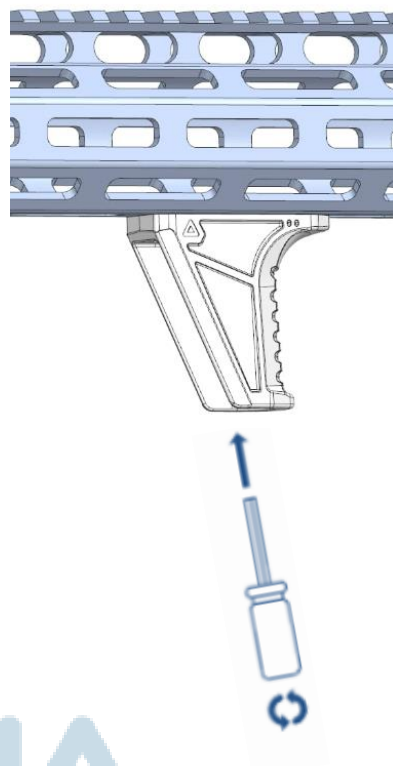
## How to Install

**WARNING:** Make sure the firearm is unloaded before installation.



1. Place the grip nuts (2) into the M-lok hole and make sure it is passed and located correctly

2. Tighten the grip screws (3) clockwise.



# KEY-ARMA

| KEY-414           | Length | Width   | Height  |
|-------------------|--------|---------|---------|
| <b>Dimensions</b> | 5.2 cm | 1.77 cm | 4.92 cm |
| <b>Weight</b>     | 23 gr  |         |         |

**TECHNICAL DIMENSIONS**

