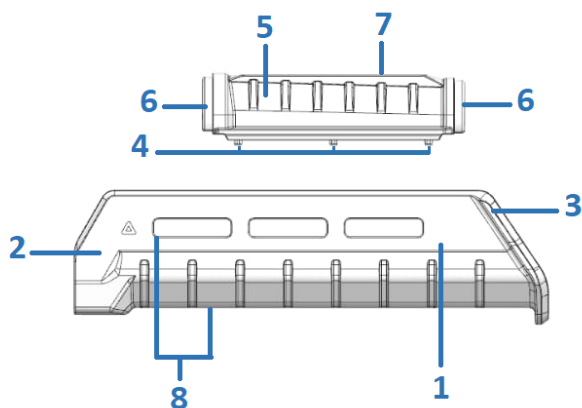


KEY-202

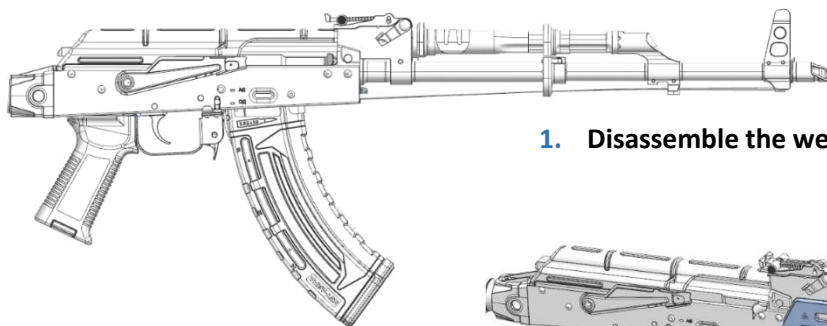
HANDGAURD DIAGRAM



1. Lower handguard
2. Rear lug of the handguard
3. Front lug of the handguard
4. Handguard part retainers
5. Gas tube cover
6. Lugs of the gas tube cover
7. Picatinny rails
8. M-Lok slots

How to Install

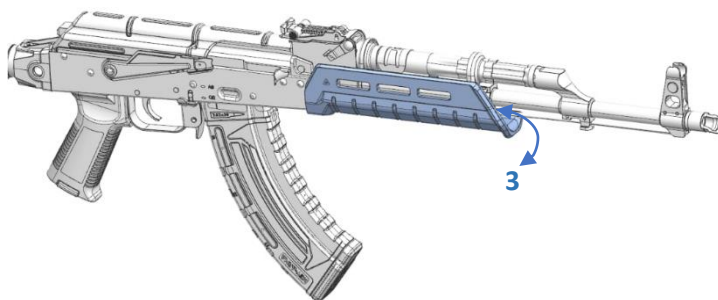
WARNING: Make sure the firearm is unloaded before installation.



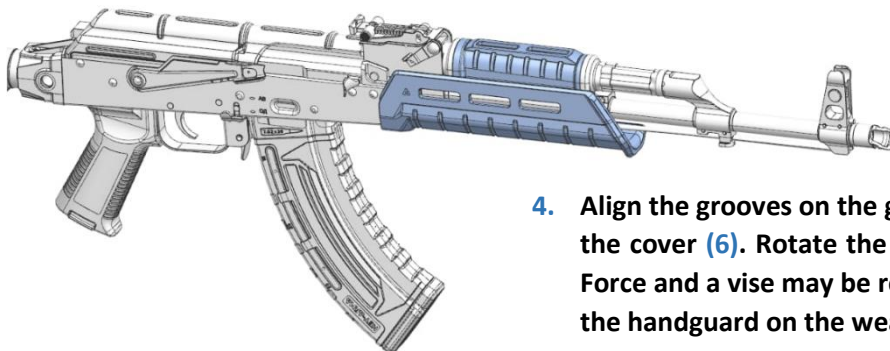
1. Disassemble the weapon's old handguard.



2. Insert the rear lug (2) of the lower handguard (1) into the receiver.



3. Press down the front lug of the handguard (3) using the ferrule. Then lower the ferrule pin.



4. Align the grooves on the gas tube with the lugs on the cover (6). Rotate the gas tube cover (5) 180°. Force and a vise may be required. Reassemble the the handguard on the weapon completely.

KEY-202	Length	Width	Height
Dimensions	19.8 cm	5.02 cm	7.29 cm
Weight	140 gr		

TECHNICAL DIMENSIONS

