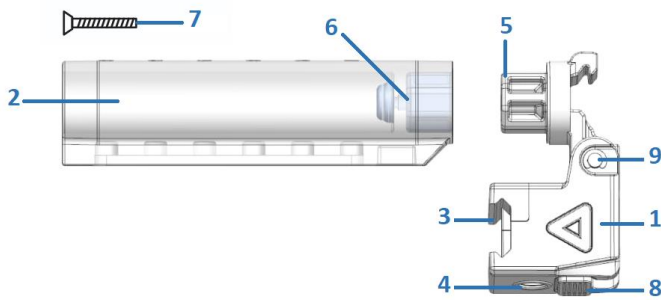


# KEY-505

## FOLDABLE ADAPTER & TUBE DIAGRAM

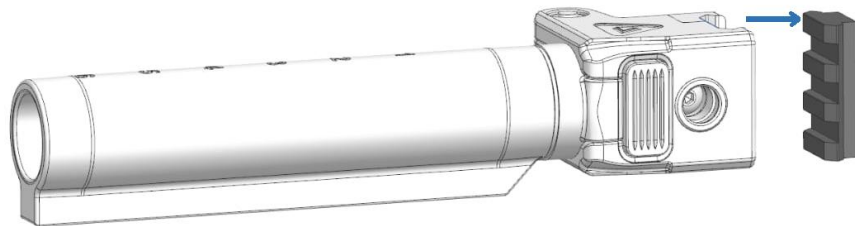


1. Folding adapter
2. Tube
3. Front mounting lug of the adapter
4. Mounting screw and QD cup
5. Rear lug of the adapter
6. Tube insert
7. Tube mounting screw
8. Adapter folding button
9. Adapter folding axis

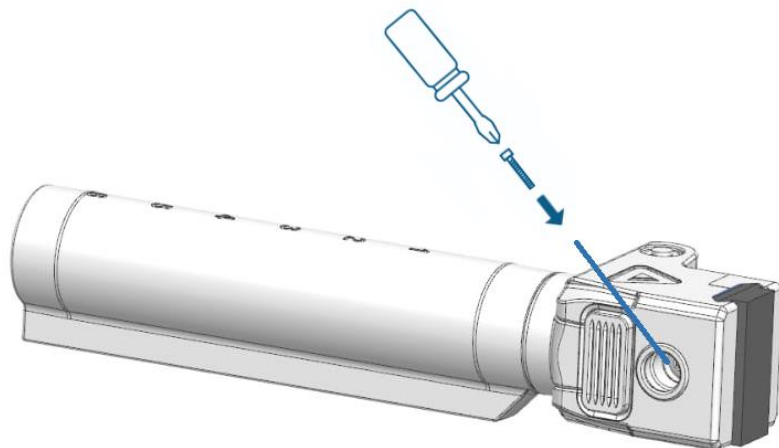
### How to Install

**WARNING: Make sure the firearm is unloaded before installation.**

1. Insert the front lug of the adapter (3) into the picatinny of the rifle's receiver.



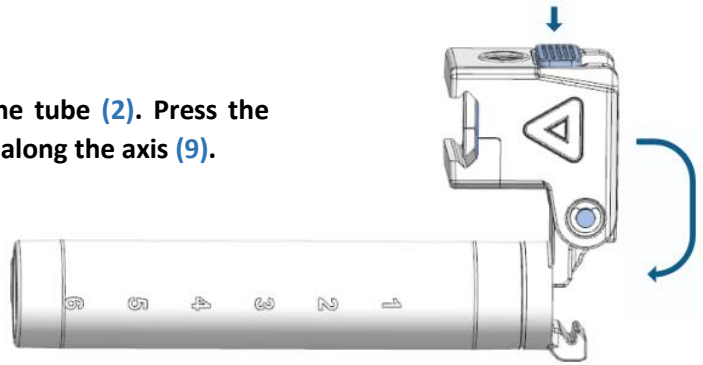
2. Tighten the mounting screw (4) into the folding stock adapter (1).



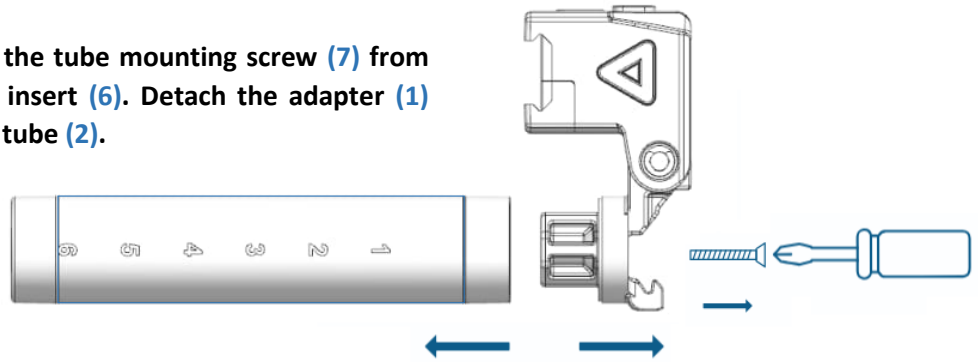
KEY-ARMA

## How to change the Folding Direction

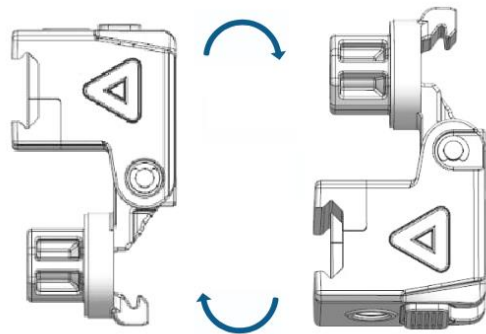
1. Remove the adapter (1) and the tube (2). Press the button (8) and fold the adapter along the axis (9).



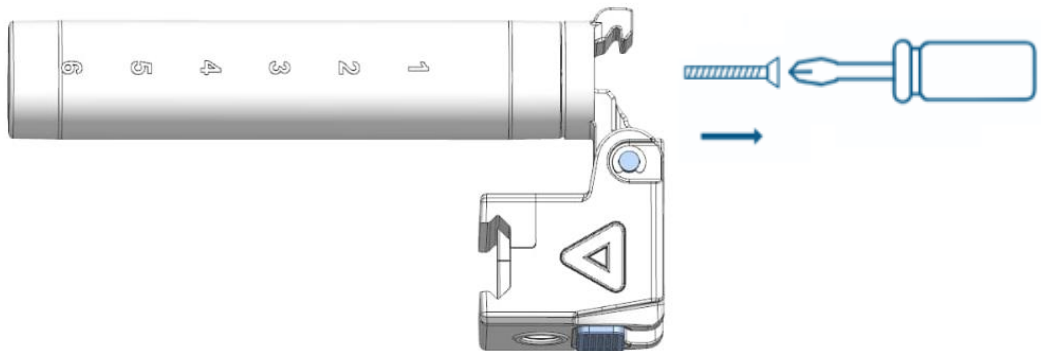
2. Unscrew the tube mounting screw (7) from the tube insert (6). Detach the adapter (1) from the tube (2).



3. Rotate the adapter 180° around its axis.



4. Insert the rear lug of the adapter (5) into the tube (2) and tighten the adapter mounting screw (7) into the tube insert (6).



KEY-505	Length	Width	Height
<b>Dimensions</b>	18.87 cm	5.05 cm	3.95 cm
<b>Folded Dimensions</b>	16.05 cm	8.25	3.95 cm
<b>Weight</b>	185 gr		

**TECHNICAL DIMENSIONS**

