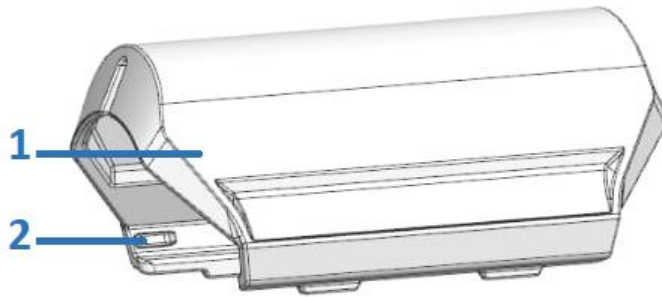


CP

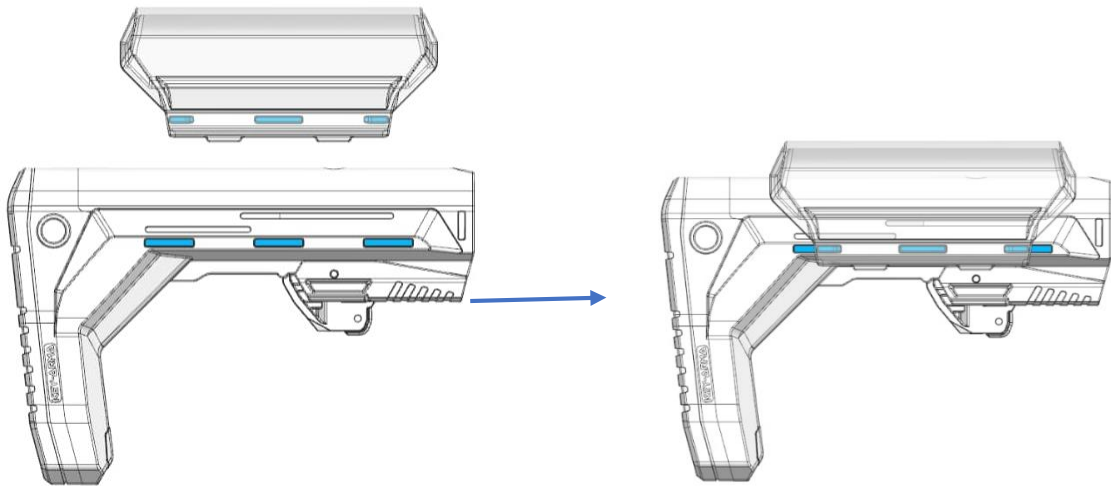
CHEEK RISER DIAGRAM



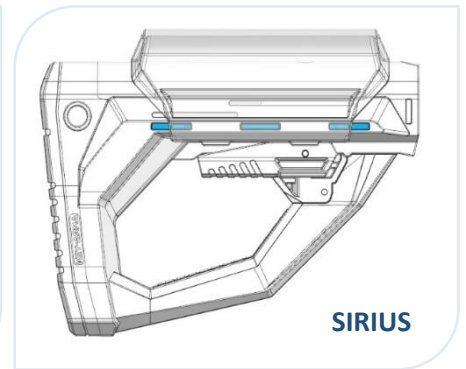
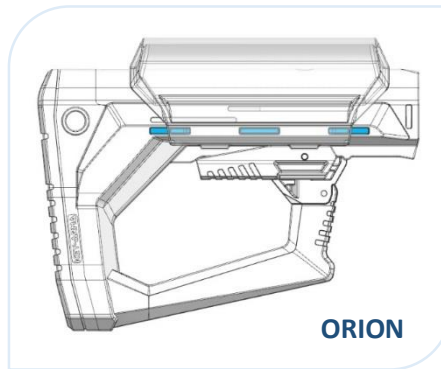
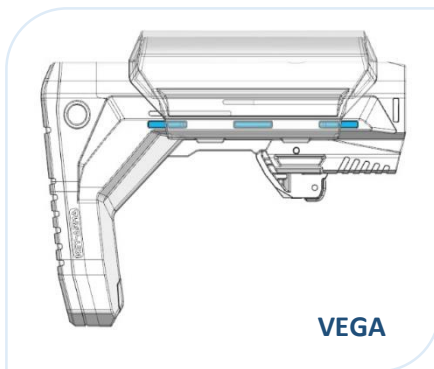
1. Cheek Riser
2. Cheek riser locking inserts

How to Install

WARNING: Make sure the firearm is unloaded before installation.



1. Place the CP cheek riser (1) on the buttstock. Pull the cheek riser wings to expand a bit and then push it down. Make sure that the cheek riser locking inserts (2) are placed correctly on the buttstock's slots as shown in blue color.



Note:

The CP cheek riser is compatible with the buttstock models "VEGA, ORION, and SIRIUS" shown above.

CP	Length	Width	Height
Dimensions	12.9 cm	5.78 cm	5.46 cm

TECHNICAL DIMENSIONS

