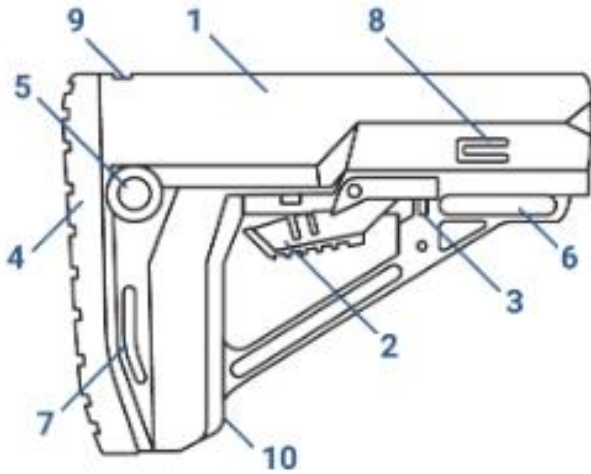


STOCK DIAGRAM

NORD



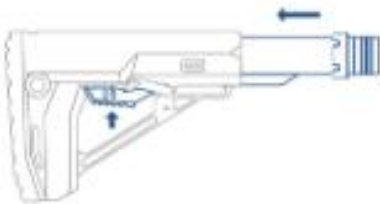
1. Buttstock
2. Buttstock locking button
3. Buttstock pin
4. Buttpad
5. QD cup for quick-detachable sling swivel (QD)
6. Slot for sling
7. Slot for sling
8. Tube swinging reducer
9. Buttpad groove
10. The screw for fixing the buttpad

How to Install

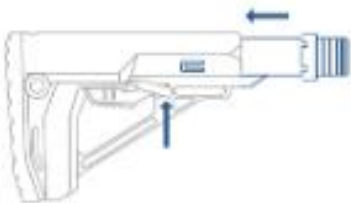
WARNING: Make sure the firearm is unloaded before installation.



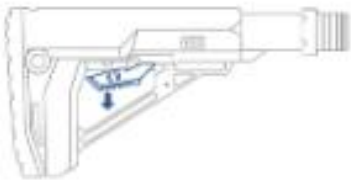
1. Press hard the install button (2) to the second level until you hear the sound.



2. While holding the locking button (2), insert the buffer tube inside the stock.



3. The buffer tube must pass through the fixing pin (3)



4. Release the buttstock lock button (2)

Adjusting the buttstock



Lightly press the buttstock lock button (2) to the first level and extend the buttstock to the required length. After this, release the buttstock lock button.

NORD BUTTSTOCK	Length	Width	Height
Dimensions	18.03 cm	4.7 cm	13.43 cm
Weight	258 gr		

TECHNICAL DIMENSIONS

