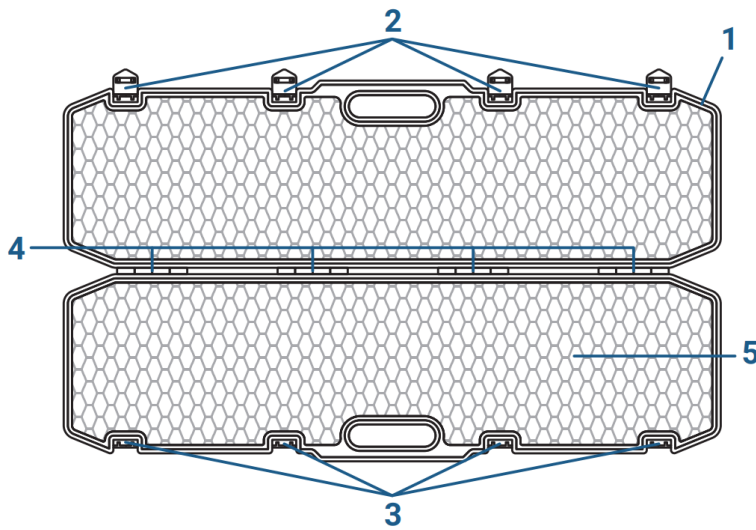


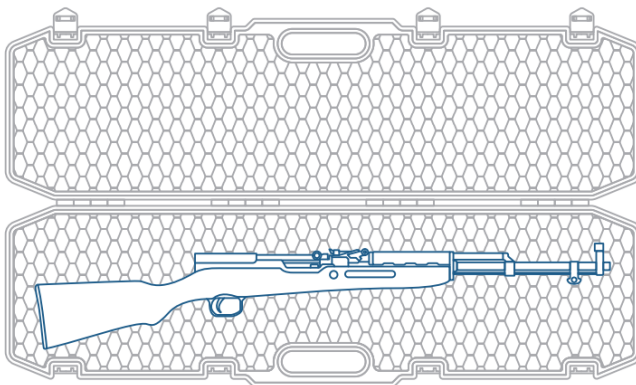
# KEY-CS110

## GUN CASE DIAGRAM

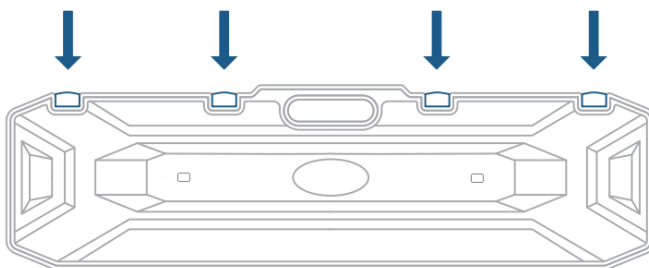


1. Case body
2. Latches
3. Case locking buttons
4. Case mounting pin
5. Sponge

## How to use the case



1. Place the weapon on the foam insert (5) inside the case. **Warning: During transportation, the weapon must be unloaded and kept separate from the ammunition.**



2. Close the case lid and slide the latches (2) towards the locking buttons (3).

KEY-CS110	Length	Width	Height
Dimensions	110.62 cm	32.51 cm	9.5 cm
Weight	3250 gr		

TECHNICAL DIMENSIONS

