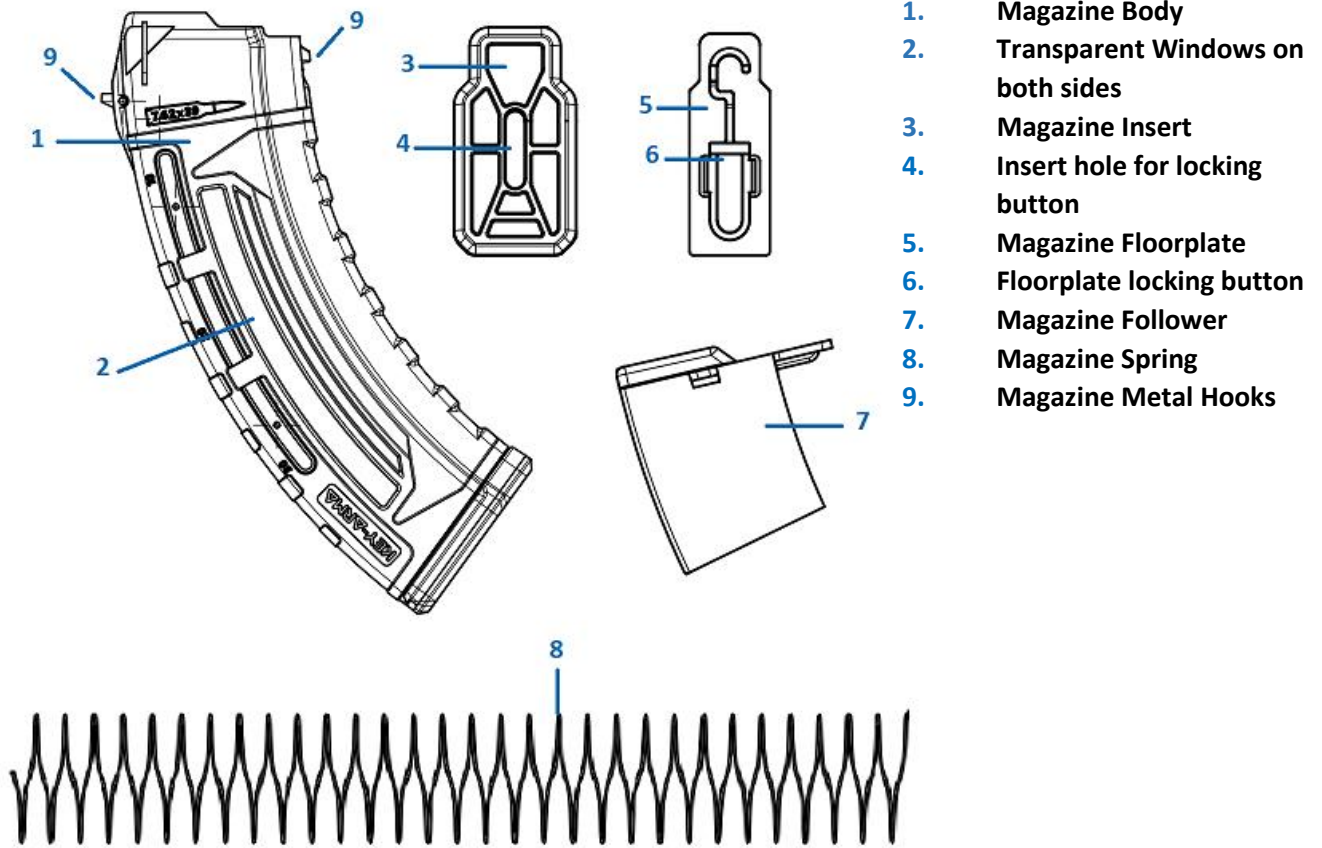


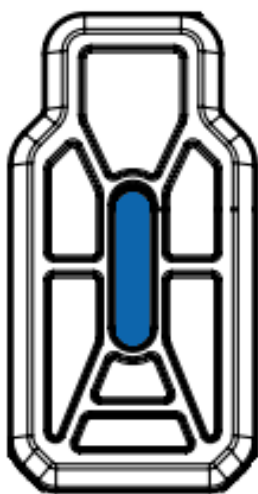
KEY-807

MAGAZINE DIAGRAM



How to disassemble, clean and reassemble

WARNING: Make sure the firearm is unloaded before installation.



1. Simply press the locking button (6) and remove carefully the spring, floorplate and follower. After you cleaned the magazine reassemble as it was removed. Make sure that the locking button (6) has placed on the insert locking hole (4).

KEY-807	Length	Width	Height
Dimensions	7.15 cm	3.52 cm	20.58 cm
Weight	206 gr		

TECHNICAL DIMENSIONS

