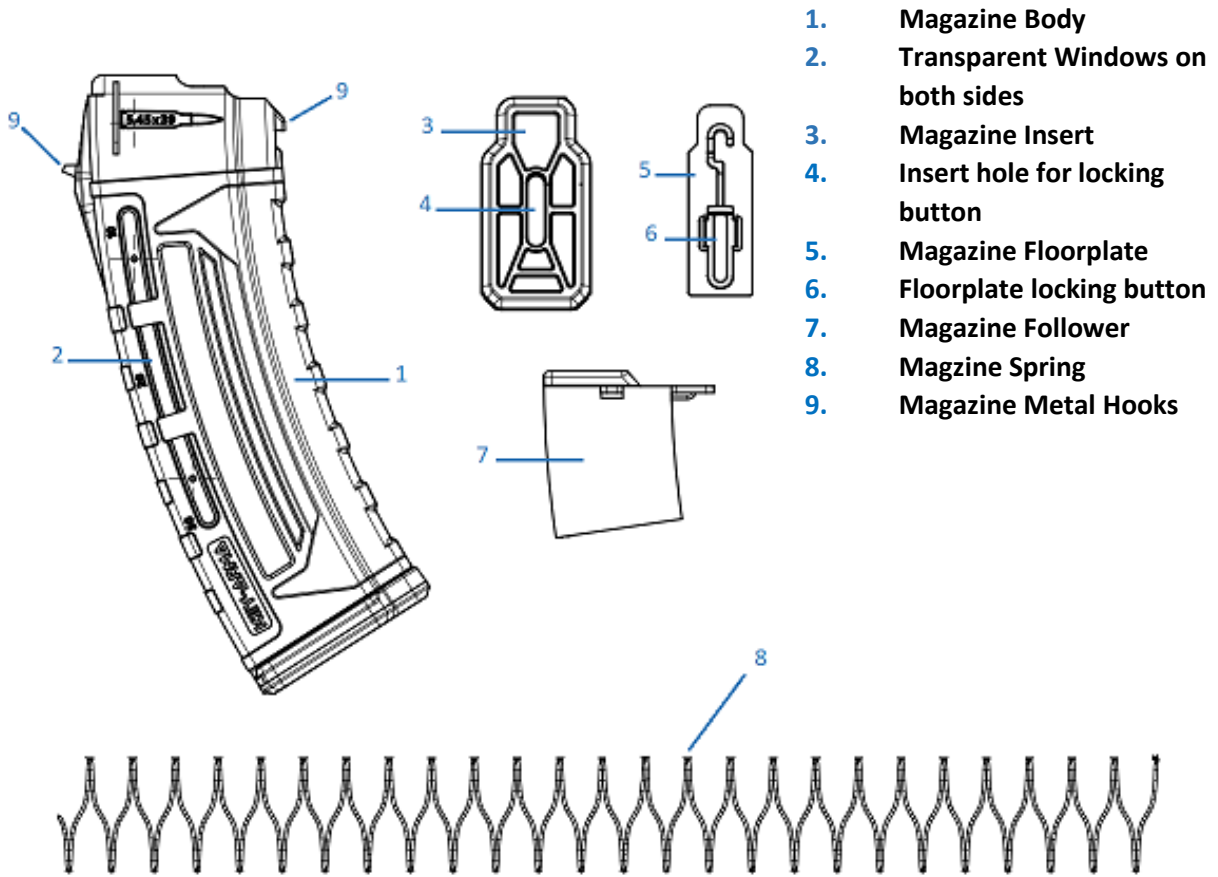


KEY-805

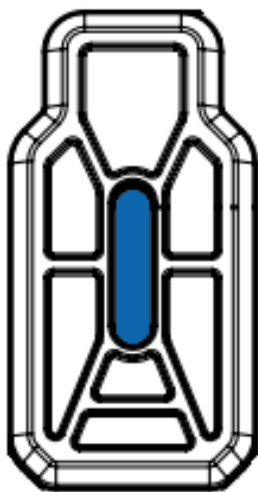
MAGAZINE DIAGRAM



1. Magazine Body
2. Transparent Windows on both sides
3. Magazine Insert
4. Insert hole for locking button
5. Magazine Floorplate
6. Floorplate locking button
7. Magazine Follower
8. Magazine Spring
9. Magazine Metal Hooks

How to disassemble, clean and reassemble

WARNING: Make sure the firearm is unloaded before installation.



1. Simply press the locking button (6) and remove carefully the spring, floorplate and follower. After you cleaned the magazine reassemble as it was removed. Make sure that the locking button (6) has placed on the insert locking hole (4).

KEY-805	Length	Width	Height
Dimensions	7.43 cm	3.38 cm	20.66 cm
Weight	187 gr		

TECHNICAL DIMENSIONS

