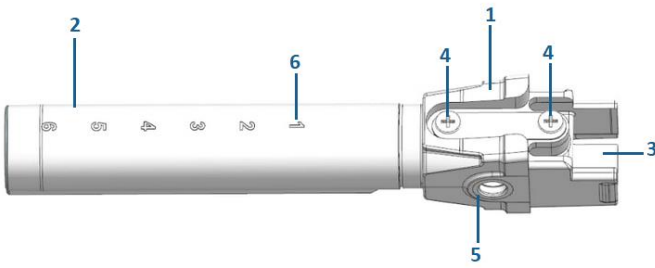


KEY-502

NON-FOLDABLE ADAPTER & TUBE DIAGRAM

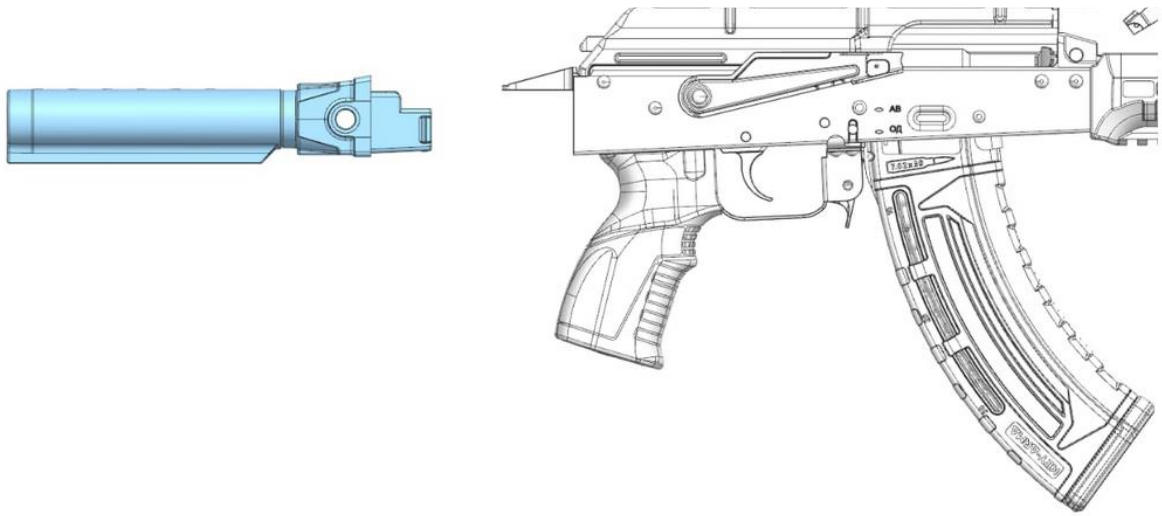


1. Non-folding adapter
2. Tube
3. Front lug of the adapter
4. Adapter installation screws
5. QD cups on both sides
6. Tube's position indicator numbers

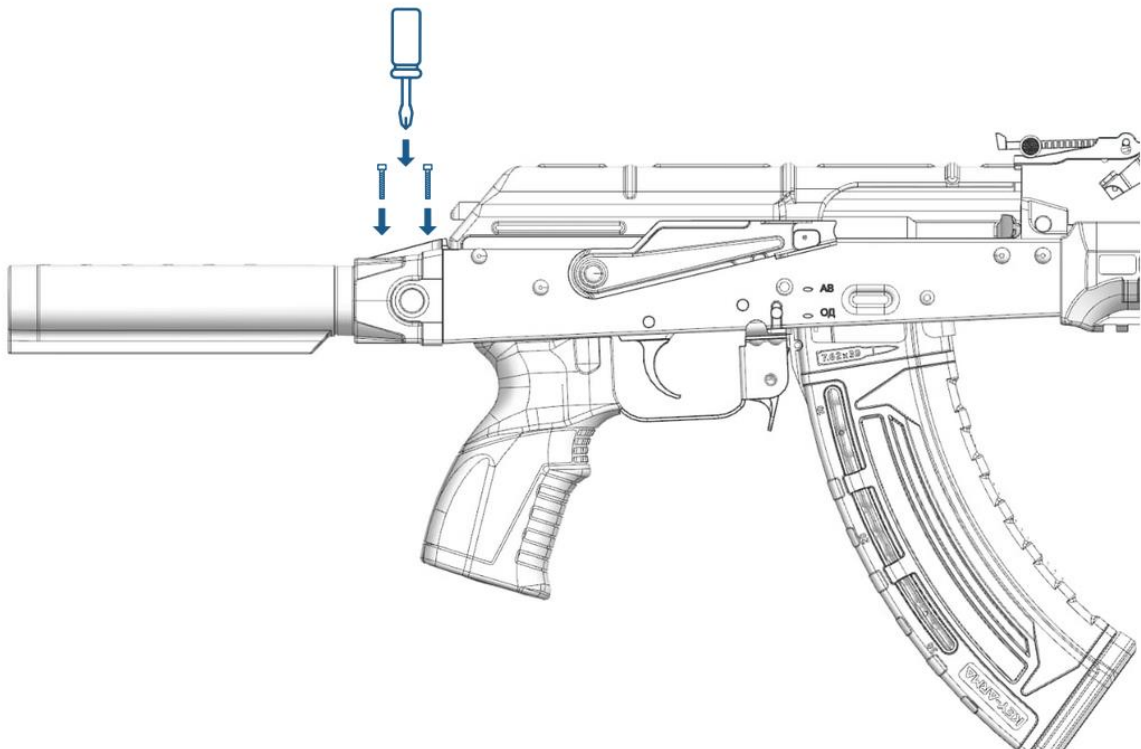
How to Install

WARNING: Make sure the firearm is unloaded before installation.

1. Insert the front lug of the adapter (3) into the receiver. Some force and adjustment may be required.



2. Once the adapter placed correctly on the receiver, insert the mounting screws (4) and tighten clockwise.



KEY-ARMA

KEY-502	Length	Width	Height
Dimensions	21 cm	3.44 cm	4.36 cm
Weight	150 gr		

TECHNICAL DIMENSIONS

