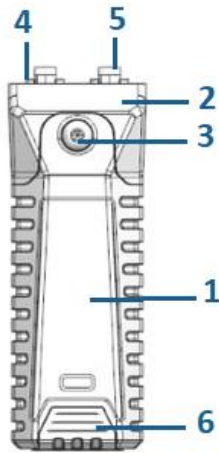


KEY-409

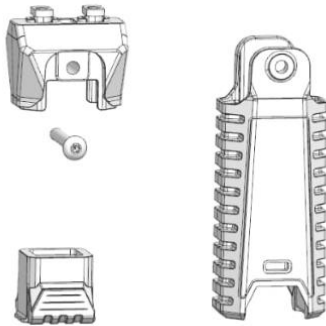
GRIP DIAGRAM



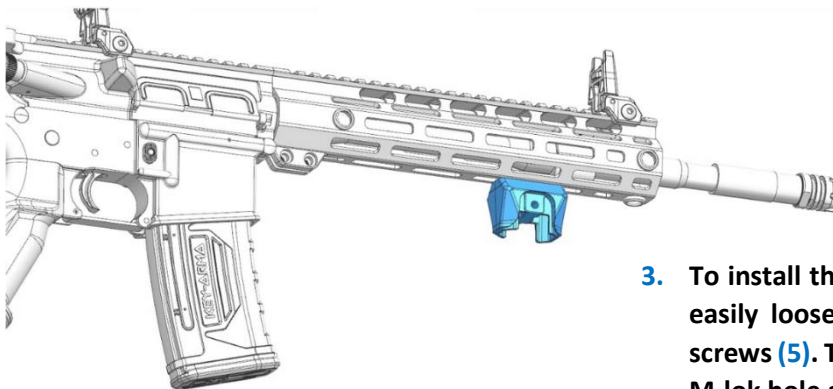
1. Grip body
2. Grip M-lok top head
3. Grip top head exchanging screw and nut
4. Grip M-lok mounting nuts
5. Grip M-lok mounting screws
6. Grip lid

How to Install

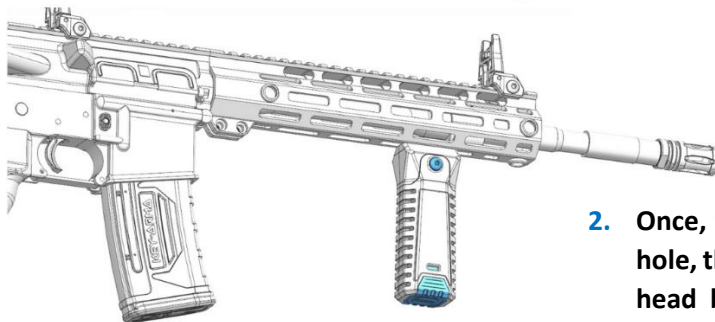
WARNING: Make sure the firearm is unloaded before installation.



1. Unscrew the top head exchanging screw (3) and remove the M-lok top head (2).



3. To install the grip with the M-lok top head, easily loosen the grip top head mounting screws (5). Then, fix the grip top head on the M-lok hole and tighten the screws.



2. Once, the grip top head installed on the M-lok hole, the grip body can be fixed to the M-lok top head by the top head exchanging screw (3). Then, the rubber grip lid can be inserted to the grip.

KEY-409	Length	Width	Height
Dimensions	4.3 cm	3.76 cm	11.46cm
Weight	120 gr		

TECHNICAL DIMENSIONS

