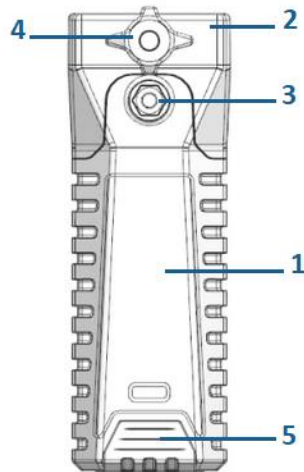


KEY-408

GRIP DIAGRAM

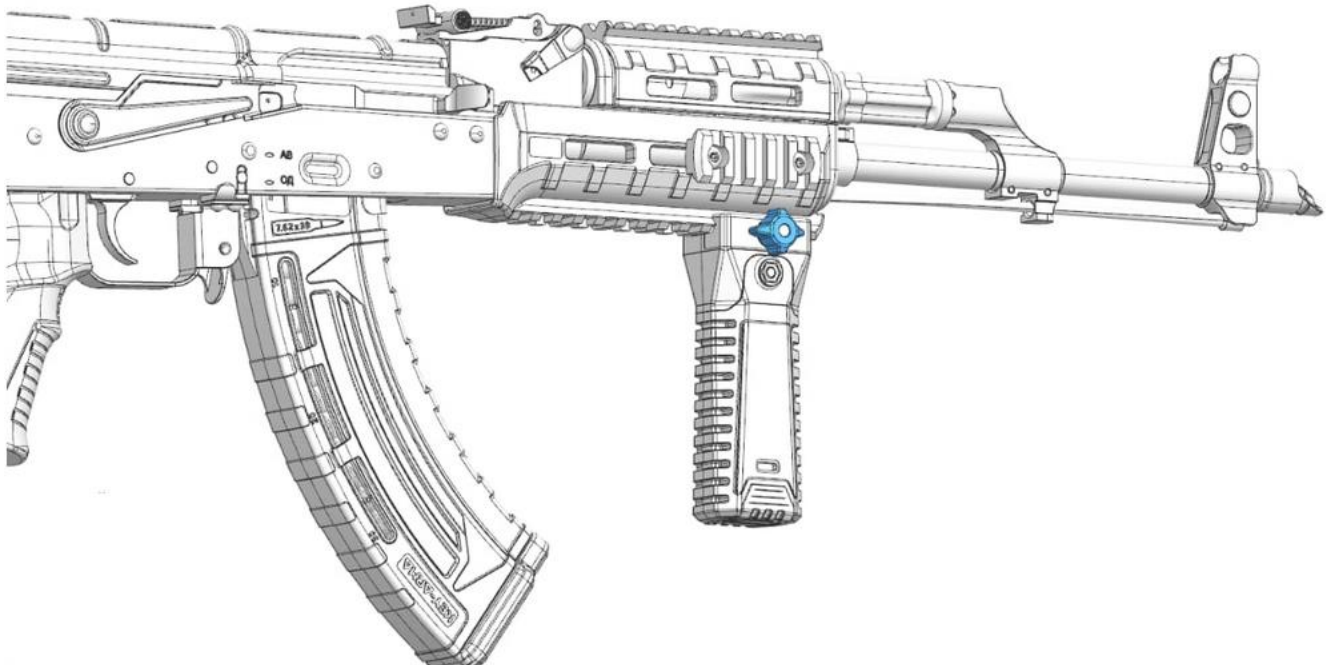


1. Grip body
2. Grip picatinny top head
3. Grip top head exchanging screw and nut
4. Grip mounting knob
5. Grip lid

How to Install

WARNING: Make sure the firearm is unloaded before installation.

- To install the grip with the picatinny top head, easily loosen the grip top head mounting knob (4) counterclockwise. Then, place the grip on the picatinny rail and turn the mounting knob clockwise.



KEY-408	Length	Width	Height
Dimensions	4.3 cm	4.78 cm	12.15 cm
Weight	120 gr		

TECHNICAL DIMENSIONS

