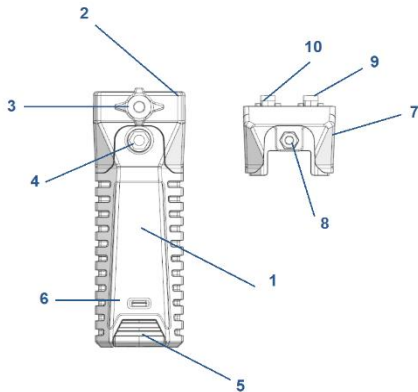


# KEY-406

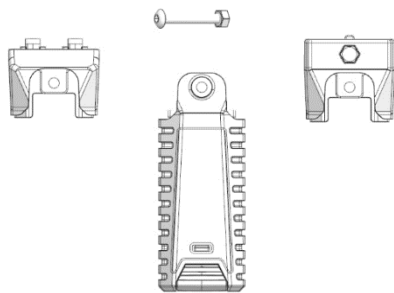
## BIPOD DIAGRAM



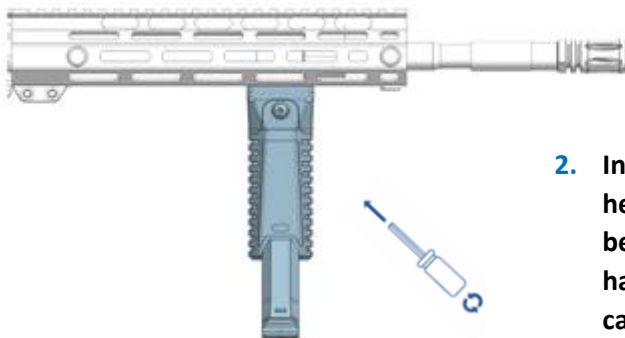
1. Bipod body
2. Bipod picatinny top head
3. Bipod mounting knob
4. Bipod picatinny top head exchanging screw and nut
5. Bipod legs
6. Bipod leg locking hole
7. Bipod M-lok top head
8. Bipod M-lok top head exchanging screw and nut
9. Bipod M-lok top head mounting screws
10. Bipod M-lok top head mounting nuts

## How to Install

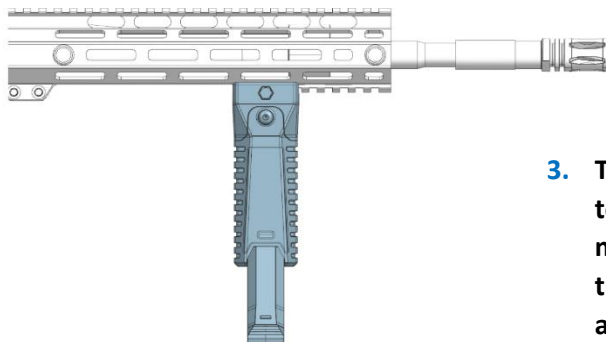
**WARNING: Make sure the firearm is unloaded before installation.**



1. Unscrew the top head exchanging screw (4) and remove the picatinny top head (2).



2. In order to install the M-Lok top head, first the M-Lok top head must be fixed on the M-Lok hole of the handguard. Then, the bipod body can be fixed to the M-Lok top head by the top head exchanging screw (4) and nut with a screw driver.



3. To install the bipod with the Picatinny top head, easily loosen the bipod mounting knob(3), place the bipod on the Picatinny rail, and tighten the knob again.

KEY-406 Picatinny	Length	Width	Folded Height	Deployed Height
Dimensions	4.3 cm	4.78 cm	12.1 cm	17.24 cm
Weight	215 gr			

TECHNICAL DIMENSIONS

