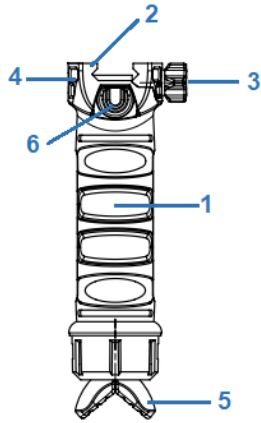


# KEY-404

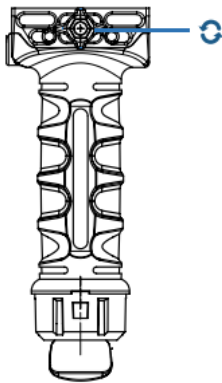
## BIPOD DIAGRAM



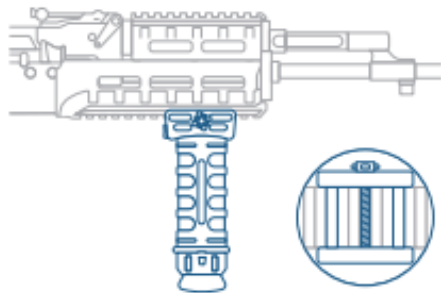
1. Bipod body
2. Bipod picatinny top head
3. Bipod mounting knob
4. Bipod mounting screw
5. Bipod legs
6. Bipod leg unlocking button

## How to Install

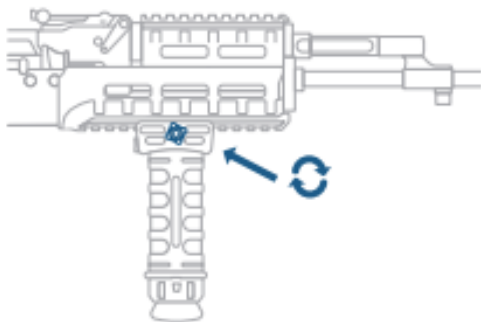
**WARNING:** Make sure the firearm is unloaded before installation.



1. Loosen the mounting knob (3) counterclockwise.

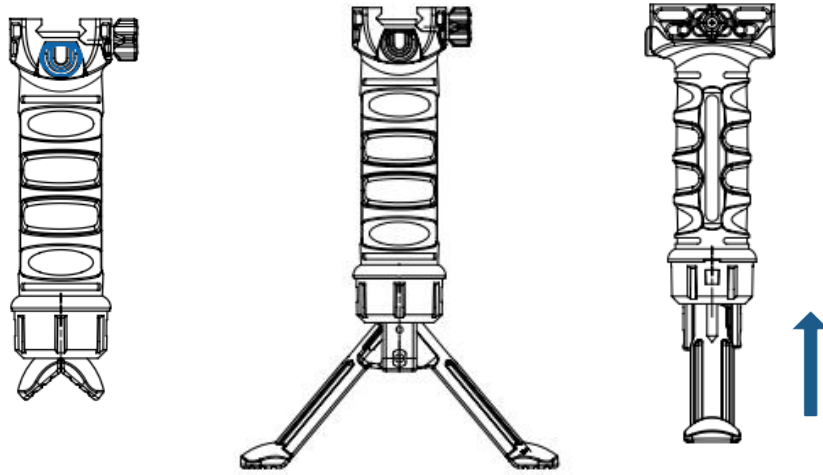


2. Install the tactical grip onto the Picatinny rail.



3. Tighten the tactical grip's mounting knob (3) to secure the grip to the picatinny rail.

## Legs Deployment mechanism



1. Press button (6) to deploy the bipod legs (5).
2. To retract the bipod, bring the bipod legs together and push them back into the grip.

KEY-404	Length	Width	Folded Height	Deployed Height
<b>Dimensions</b>	6.29 cm	5.48 cm	16.45 cm	21.46 cm
<b>Weight</b>	240 gr			

## TECHNICAL DIMENSIONS

