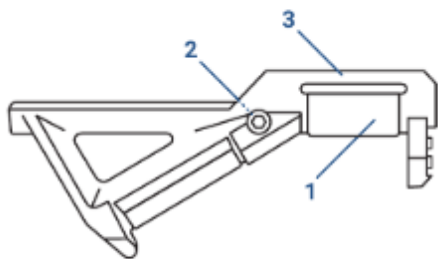


KEY-400

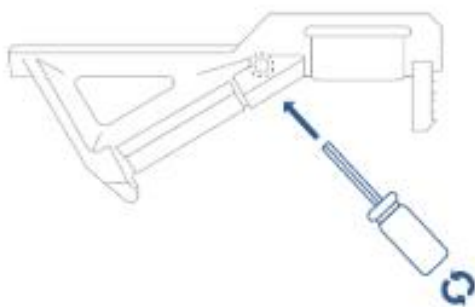
POINTING GRIP DIAGRAM



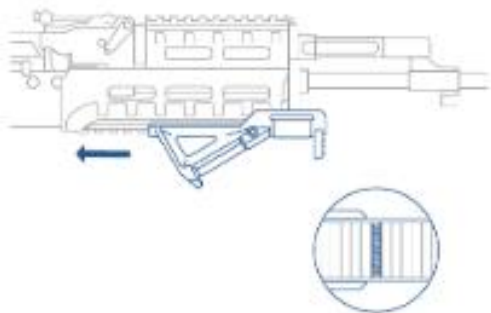
1. Pointing grip body
2. Pointing grip screw
3. Pointing grip rail

How to Install

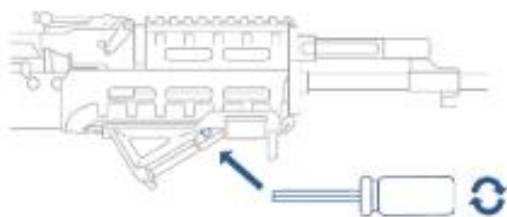
WARNING: Make sure the firearm is unloaded before installation.



1. Unscrew the tactical grip screw (2) counterclockwise.



2. Slide the grip (1) onto the picatinny rail. Make sure that the hole for the pointing grip screw (2) is aligned with the hole on the Picatinny rail.



3. Tighten the tactical grip screws (3) clockwise.

KEY-400	Length	Width	Height
Dimensions	14.1 cm	4.12 cm	6.13 cm
Weight	68 gr		

TECHNICAL DIMENSIONS

